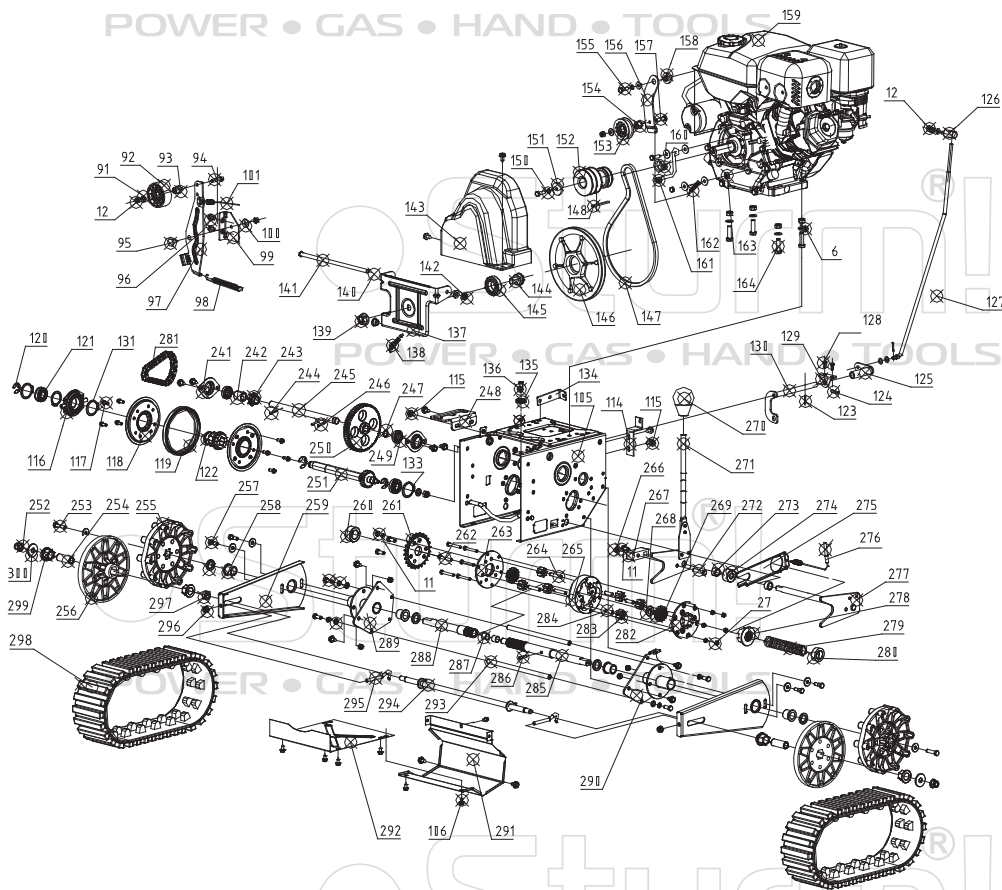


STG70111T-A

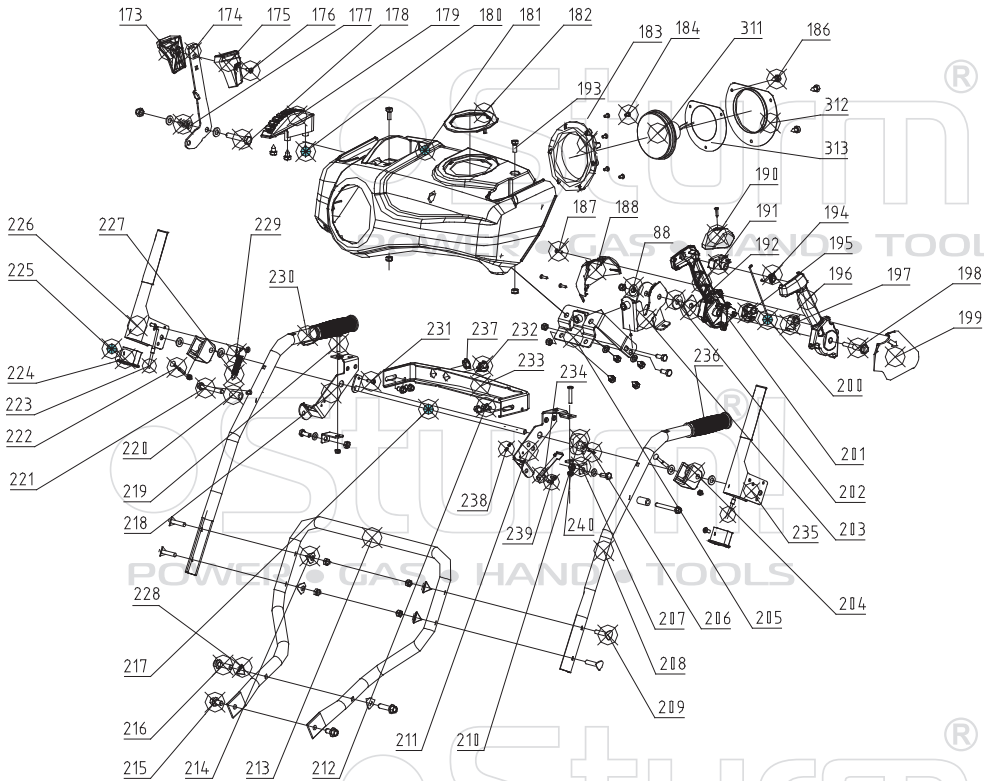
NO.	DESCRIPTION	NO.	DESCRIPTION	NO.	DESCRIPTION
1	BELT COVER	32	SPRING WASHER 6	60	BOLT M8X20
2	FLANGE LOCK NUT	33	FLAT WASHER 6	61	SKID SHOE
3	MAIN STEERING GEAR	34	SEAL B20X35X7	62	PLUG
4	ROTATING SHAFT BUSH	35	SCREW M5X12	63	AUGER HOUSING ASSY.
5	MINOR STEERING GEAR	36	AUGER GEARCASE HOUSING RH	64	SCREW ST5.5X13
6	FLAT WASHER 10	37	AUGER SHAFT	65	CHUTE CLEAN-OUT TOOL
7	ADJUSTING WASHER	38	CLEVIS PIN 1.8	66	CLEAN-OUT TOOL MOUNTING BRACKET
8	ROTARY BUSHING	39	WORM WHEEL	67	BOLT M8X25
9	FT BOLT M6X40	40	SHAFT SLEEVE	70	SPRING
10	SUPPORT BRACKET	41	AUGER GEARCASE HOUSING LH	71	GUID LEVER
11	BOLT M8X40	42	WASHER	72	BLOCK PIN
12	SPRING WASHER 8	43	SPIRAL ASSEMBLY LH	73	TORSIONAL SPRING
13	BIG FLAT WASHER 6	44	BEARING HOUSING 6005	74	BOLT M8X35
14	LOCK PLATE	44a	BALL BEARING 6005-2RS	75	CABLE SUPPORT BRACKET
15	ROTARY BUSHING	45	SCREW ST8X20	76	THICK LOCK NUT M8
16	BOLT M6X40	46	BIG WASHER	77	DEFLECTOR CONTROL CABLE
17	DIRECTION LOCK CABLE	47	SHEAR PIN	78	DISCHARGE CHUTE
18	CHUTE CRANK CONNECTOR	48	KEY 5X7.5X19	79	SCREW M5X6
19	SPRING	49	BALL BEARING 6001-2RS	80	DISCHARGE CHUTE WASHER
20	CHUTE CRANK	50	ROLL PIN 6X37	81	BALL BEARING 6203-2RS
21	SCREW ST4.2X19	51	IMPELLER SHAFT	82	BEARING HOUSING
22	SHEAR PIN 2.5X12	52	WASHER	83	LOCK WASHER
23	WASHER	53	SEAL B20X35X7	84	HEX. FLANGE NUT M8
24	BOLT M8X16	54	IMPELLER ASSEMBLY	85	AUGER PULLEY
27	LOCK NUT M8	55	THRUST BEARING 51104	87	AUGER BELT 4LXP960
28	AUGER SUPPORT PLATE	56	BALL BEARING 61904-2RS	88	FLAT WASHER 10
29	OIL SEAL M10X1	57	BOLT M8X16	89	FLANGE LOCK NUT M10
30	SPIRAL ASSEMBLY RH	58	SHAVE PLATE		
31	FT BOLT M6X20	59	LOCK NUT M8		

STG7011T-B



NO.	DESCRIPTION	NO.	DESCRIPTION	NO.	DESCRIPTION
91	FLAT WASHER 8	146	ENGINE PULLEY	263	DIFFERENTIAL LOCK COVER RH
92	AUGER IDLER	147	DRIVE BELT 37X132	264	PIN
93	SPACER	148	KEY 6X6X45	265	DIFFERENTIAL LOCK HOUSING
94	FT BOLT M8X35	150	SPRING WASHER 12	266	THICK LOCK NUT M8
95	PIVOT BOLT	151	WASHER	267	TRACK LOCK CONNECTING BLOCK
96	FLANGE BOLT M8X20	152	BELT PULLEY	268	WASHER
97	AUGER IDLER BRACKET	153	DRIVE CLUTCH IDLER	269	SUN WHEEL GEAR 15X2.54
98	EXTENSION SPRING	154	BUSHING	270	HANDLE KNOB
99	AUGER IDLER MOUNTING BRACKET	155	BOLT M8X25	271	TRACK LOCK LEVER
100	FLAT WASHER 8	156	DRIVE CLUTCH IDLER BRACKET	272	FT BOLT M8X40
101	CHUTE ADJUSTABLE CABLE	157	FT BOLT	273	COLLAR
116	SHIFT ARM	158	SPACER	274	LOCK RING
117	FT BOLT M6X10	159	ENGINE	275	DIFFERENTIAL LOCK FORK
118	FRICTION WHEEL SIDE PLATE	160	ENGINE WASHER	276	DIFFERENTIAL LOCK CABLE
119	RUBBER RING	161	BELT BLOCKER	277	TRACK LOCK LEVER LEVER BRACKET
120	SNAP RING 15	162	EXTENSION SPRING	278	DIFFERENTIAL LOCK
121	BALL BEARING 6203-2RSN	163	JAM NUT M8	279	SPRING
122	FRICTION WHEEL HUB	164	FT BOLT M10X45	280	COLLAR
123	CLEVIS PIN 3	241	BEARING HOUSING	281	CHAIN
124	PIN 6X25	242	SHAFT SPACER	282	DIFFERENTIAL LOCK COVER LH
125	SLEEVE	243	SPROCKET WHEEL Z9	283	PLANETARY GEAR 8X2.54
126	SPIN AXIS	244	SPRING PIN	284	PIN 8X30
127	GEAR SHIFTING LEVER	245	DRIVE SHAFT	285	DRIVE SHAFT LH
128	SCREW M6X16	246	PIN	286	SPRING PIN 6X30
129	FORK BRACKET	247	CIRCLIP 17	287	COPPER ALLOY BUSH 15X17X20 (C)
130	FORK ASSEMBLY	248	TRACK LOCK LEVER TRANSPOSITION BOARD	288	DRIVE SHAFT RH
131	CIRCLIP 35	249	BALL BEARING 6003-2RS	289	DRIVE SHAFT BRACKET LH
133	CIRCLIP 40	250	GEAR 66	290	DRIVE SHAFT BRACKET RH
134	CABLE SUPPORT BRACKET	251	FRICTION WHEEL SHAFT	291	FRAME COVER 1
135	CABLE ROLLER	252	FLANGE LOCK NUT M12	292	FRAME COVER 2
136	BOLT	253	FT BOLT M8X20	293	DRIVE SHAFT BUSH CONNECTING SHAFT
137	DRIVEN PULLEY BRACKET	254	GUID WHEEL BUSH	294	GUID WHEEL SHAFT
138	FRICTION WHEEL RETAINING SPRING	255	DRIVING WHEEL	295	BELT TENSIONING SCREW
139	FLANGE LOCK NUT M16	256	GUID WHEEL	296	FLANGE NUT M8
140	LOCATING KNOT	257	PIVOT BOLT	297	GUID WHEEL SPACER
141	LOCATING SHAFT	258	COPPER ALLOY BUSH 20X26X20 (F)	298	TRACK
142	LOCK NUT M10	259	RUBBER TRACK SUPPORT BRACKET	299	NECK BUSH
143	ENGINE BELT COVER	260	DIFFERENTIAL LOCK STOP BUSH	300	BIG FLAT WASHER 12
144	DRIVEN PULLEY HUB	261	DIFFERENTIAL LOCK SPROCKET		
145	BALL BEARING 6006-2RS	262	FT BOLT M6X45		

STG70111T-C



NO.	DESCRIPTION	NO.	DESCRIPTION
173	SPEED SHIFT LEVER GRIP RH	211	LOCK PLATE LH
174	SPEED SHIFT LEVER	212	BOLT MX25
175	SPEED SHIFT LEVER GRIP LH	213	LOWER HANDLE
176	BOLT M5X16	214	ARC WASHER 8
177	RETAINER SPRING	215	FT BOLT M10X20
178	FT BOLT M10X60	216	FT BOLT M10X40
180	SCREW ST8X16	217	INTERLOCK ROD
179 181 183	DASHBOARD	218	LOCK PLATE RH
182	PLASTIC RING	219	FURNITURE SCREWS
184	SCREW ST4.8X16	220	PLASTIC BUSHING
186	ST BOLT M8X16	221	FLANGE BOLT M8X70
187	SCREW ST4.2X19	222	BOLT M6X40
188	JOYSTICK HOUSE RH	223	FRICITION WHEEL CABLE
190	JOYSTICK HEAD	224	STOP BLOCK
191	JOYSTICK TORSIONAL SPRING BRACKET	225	SCREW ST6.3X16
192	UNDERLAY PLATE	226	DRIVE CLUTCH LEVER
193	BOLT M8X16	227	DRIVE CLUTCH LEVER RETAINING SPRING
194	TORSIONAL SPRING	228	ARC WASHER 10
195	DRAWBAR BRACKET	229	CLIP 1.8
196	JOYSTICK LH	230	OPERATION HANDLEBAR RH
197	STOP CLAW	231	FLANGE BOLT M6X16
198	BOLT M10X60	232	SWITCH
199	JOYSTICK HOUSE LH	233	OPERATION HANDLES CONNECTOR
200	DRAWBAR	234	INTERLOCK SPRING
201	JOYSTICK RH	235	AUGER CLUTCH LEVER
202	GASKET	236	HANDLE GRIP
203	JOYSTICK SUPPORT BRACKET	237	PLUG
204	LEVER MOUNTING BRACKET	238	THICK LOCK NUT M5
205	CABLE FIXING BRACKET	239	FT BOLT M5X12
206	PIN 3X20	240	THICK LOCK NUT M6
207	DASHBOARD MOUNTING BRACKET	311	LIGHT
208	OPERATION HANDLEBAR LH	312	LIGHT HOLDER
209	BOLT M8X45	313	LED LIGHT SHOCK ABSORBER
210	INTERLOCK CAM		

